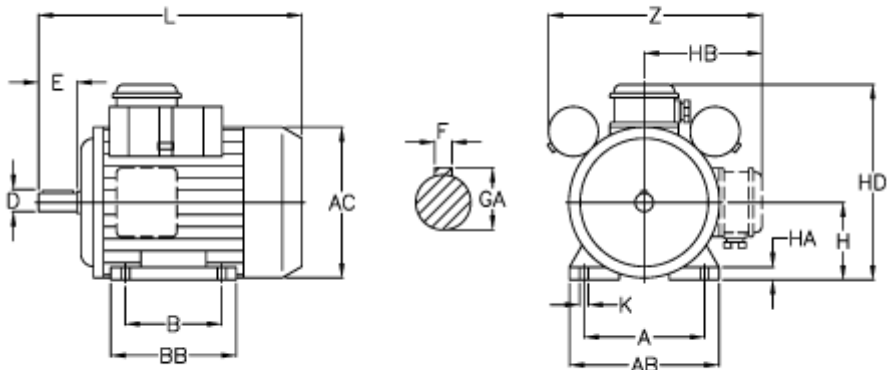


Article number: 25025262002

Description: ICME Single-phase motor MD 63 B2 0,25KW
 2 - 2800 rpm 1x230 Volt 50Hz B3 with starting & running capacitor

Measures



A = 100	H = 63
AB = 126	HA = 10
AC = 124	HB = 98
B = 80	K = 7
D = 11	L = 241
E = 23	Z = 170
F = 4	
GA = 12.5	